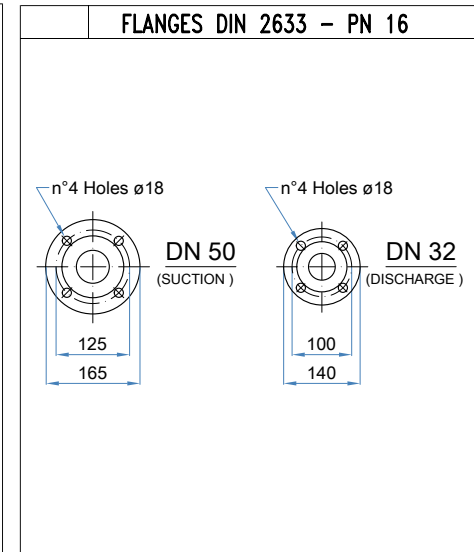
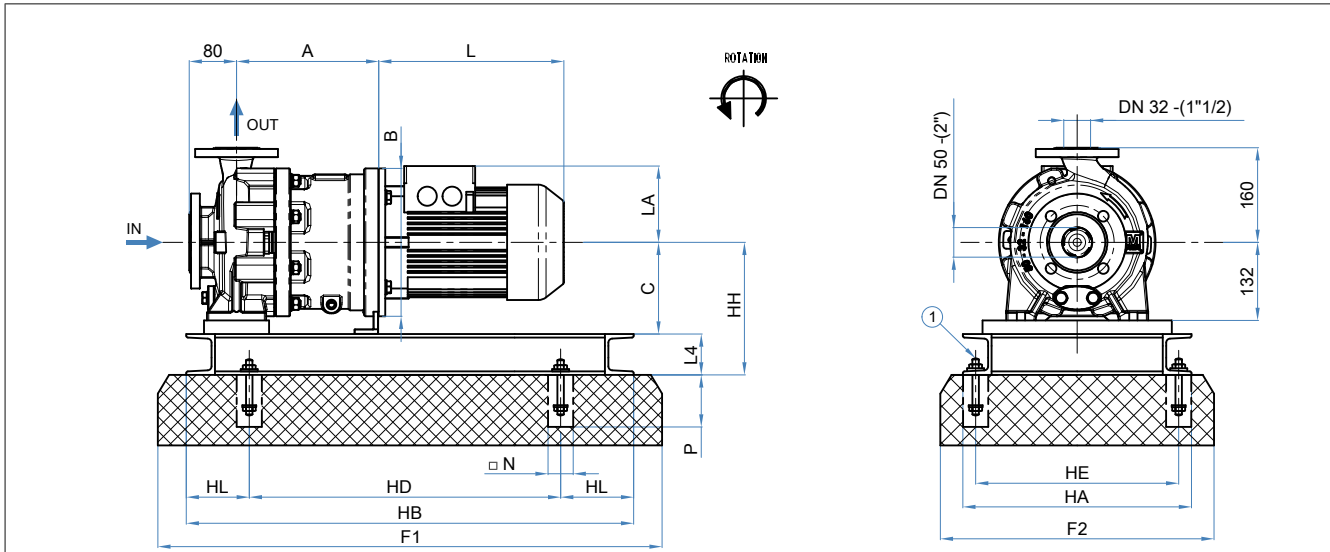


# OUTLINE DRAWING

CODE: D13213 Rev.:01



EXTERNAL MAGNET	PART. 1	FOOT PRINT SKETCH	PUMP					WEIGHT (kg)		
			MOTOR SIZE	A	B (Ø)	C	D	K	Weight pump (without motor)	Baseplate
			90	229	300	164	196	149.5	52	24
			100/112	240	250	155	180	160.5		
			132	260	300	157	170	180.5		
			160	290	350	180	189	210.5		

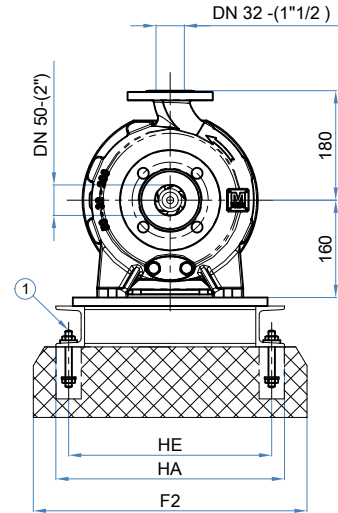
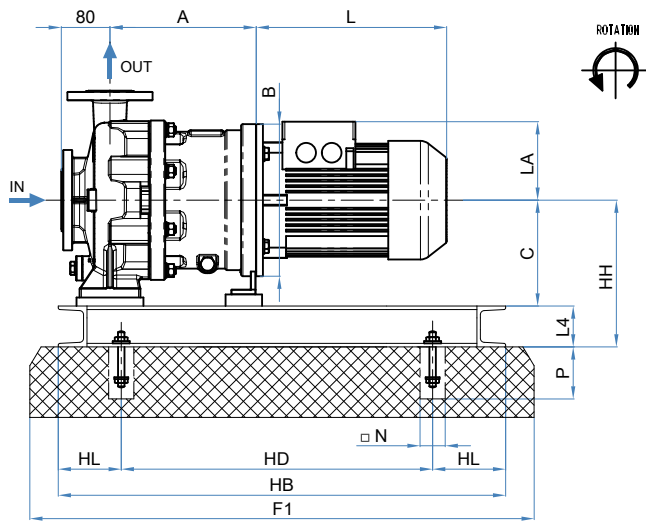
MOTOR	MAX. (Kw)		SHAFT Ø d	DIMENSIONS			BASE PLATE N°	BASEPLATE (mm)								FOUNDATION (mm)			BOLTS Ød1 x l			
	2P	4P		L	LA	LB		HH	HB	HD	HL	HE	HA	L4	N° BOLTS	F1	F2	□ N		P		
90 S	1.5	1.1	24				H09	244														
90 L	2.2	1.5																				
100 L	3	2.2	28				H10	235	600	380	110	340	380	80	4	750	530	120	250	M16 x 270		
		3																				
112 M	4	4	28				H11	237														
132 S	5.5	5.5	38																			
	7.5																					
132 M	/	7.5	38				H20	260														
160 M	11	/	42																			
	15	/																				
	18.5	/																				

Motor: \_\_\_\_\_  
 Pump model: CL MAG-M 50-32-160

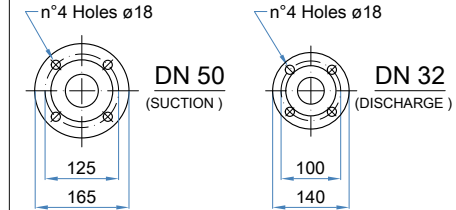
DATE: \_\_\_\_\_  
 ITEM: \_\_\_\_\_  
 PURCHASE ORDER: \_\_\_\_\_  
 CUSTOMER NAME: \_\_\_\_\_

# OUTLINE DRAWING

CODE: D13214 Rev.:01



FLANGES DIN 2633 - PN 16



EXTERNAL MAGNET	PART. 1	FOOT PRINT SKETCH	PUMP					WEIGHT (kg)		
			MOTOR SIZE	A	B (Ø)	C	D	K	Weight pump (without motor)	Baseplate
			100/112	240	250	155	180	160.5	56	24
			132	260	300	157	170	180.5		
			160/180	290	350	180	189	210.5		

MOTOR	MAX. (Kw)		SHAFT Ø d	DIMENSIONS			BASE PLATE N°	BASEPLATE (mm)								FOUNDATION (mm)				BOLTS Ød1 x l
	2P	4P		L	LA	LB		HH	HB	HD	HL	HE	HA	L4	N° BOLTS	F1	F2	□ N	P	
100 L	3	2.2 3	28				H10	255												
112 M	4	4	28				H22	255	600	380	110	340	380	80	4	750	530	120	250	M16 x 270
132 S	5.5 7.5	5.5	38																	
132 M	/	7.5	38				H23	260												
160 M	11 15 18.5	/	42																	
180 M	22	/	48																	

Motor:

Pump model: CL MAG-M 50-32-200

DATE:

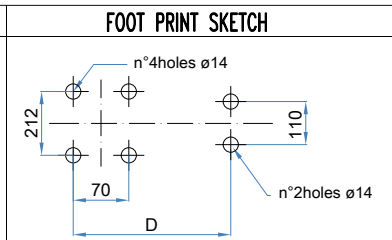
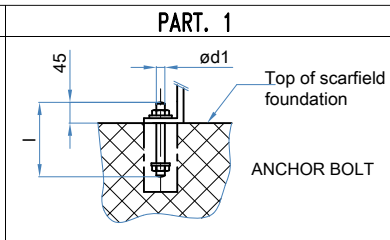
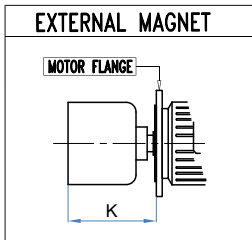
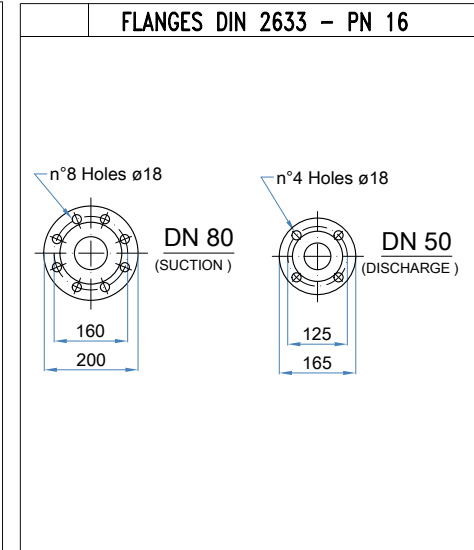
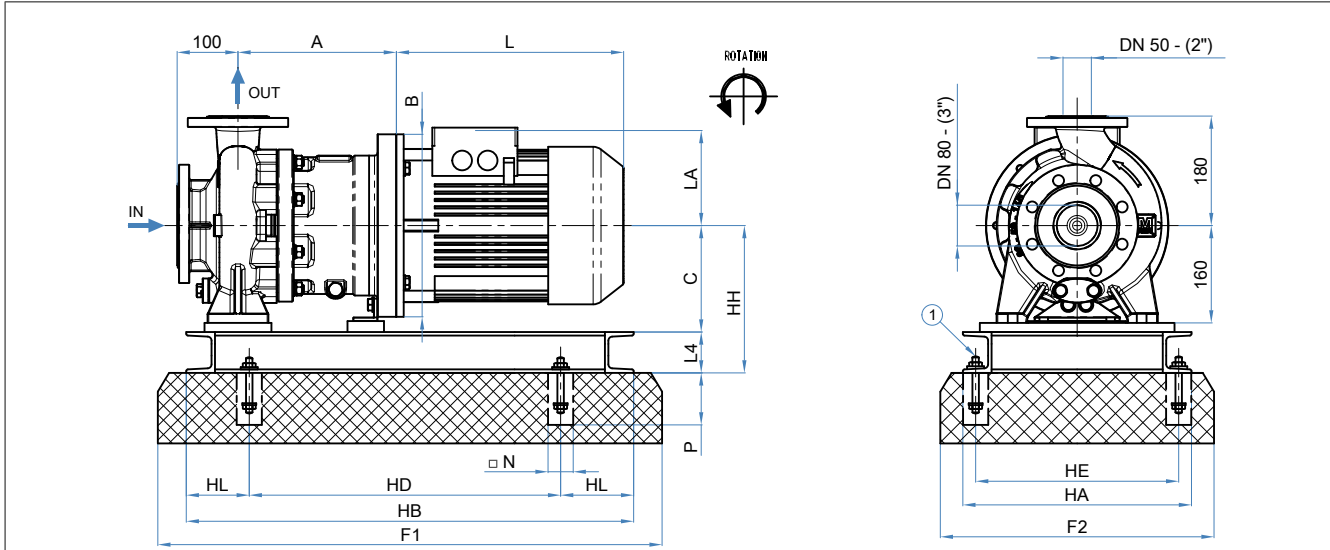
ITEM:

PURCHASE ORDER:

CUSTOMER NAME:

# OUTLINE DRAWING

CODE: D13217 Rev.:01



MOTOR SIZE	PUMP				
	A	B (Ø)	C	D	K
100/112	240	250	155	180	160.5
132	260	300	157	170	180.5
160/180	290	350	180	189	210.5

WEIGHT (kg)	
Weight pump (without motor)	Baseplate
56	24

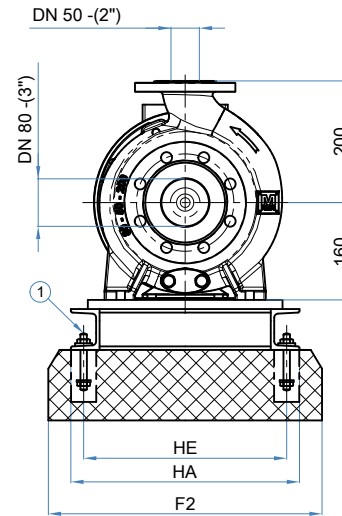
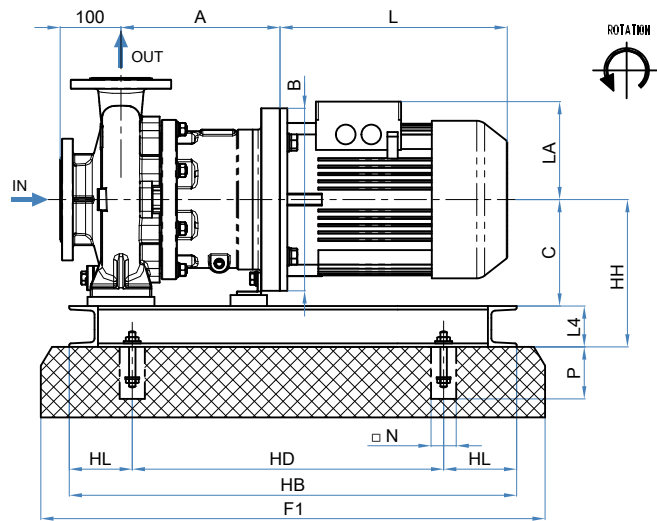
MOTOR	MAX. (Kw)		SHAFT Ø d	DIMENSIONS			BASE PLATE N°	BASEPLATE (mm)								FOUNDATION (mm)				BOLTS Ød1 x l													
	2P	4P		L	LA	LB		HH	HB	HD	HL	HE	HA	L4	N° BOLTS	F1	F2	□ N	P														
100 L	3	2.2 3	28				H18	255																									
112 M	4	4	28				H19	255	600	380	110	340	380	80	4	750	530	120	250	M16 x 270													
132 S	5.5 7.5	5.5	38																														
132 M	/	7.5	38				H21	260																									
160 M	11 15 18.5	/	42																														
180 M	22	/	48																														

Motor: \_\_\_\_\_  
 Pump model: CL MAG-M 80-50-160

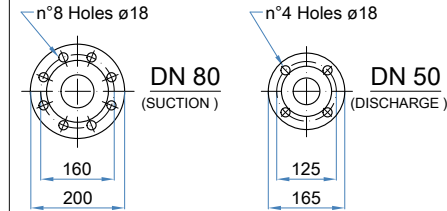
DATE: \_\_\_\_\_  
 ITEM: \_\_\_\_\_  
 PURCHASE ORDER: \_\_\_\_\_  
 CUSTOMER NAME: \_\_\_\_\_

# OUTLINE DRAWING

CODE: D13218 Rev.:01



FLANGES DIN 2633 - PN 16



EXTERNAL MAGNET	PART. 1	FOOT PRINT SKETCH	PUMP					WEIGHT (kg)		
			MOTOR SIZE	A	B (Ø)	C	D	K	Weight pump (without motor)	Baseplate
			100/112	240	250	155	180	160.5	61	24
			132	260	300	157	170	180.5		
			160/180	290	350	180	189	210.5		

MOTOR	MAX. (Kw)		SHAFT Ø d	DIMENSIONS			BASE PLATE N°	BASEPLATE (mm)								FOUNDATION (mm)				BOLTS Ød1 x l
	2P	4P		L	LA	LB		HH	HB	HD	HL	HE	HA	L4	N° BOLTS	F1	F2	□ N	P	
100 L	3	2.2	28				H18	255												
		3																		
112 M	4	4	28				H19	255	600	380	110	340	380	80	4	750	530	120	250	M16 x 270
132 S	5.5	5.5	38																	
	7.5																			
132 M	/	7.5	38				H21	260												
160 M	11	/	42																	
	15																			
	18.5	/																		
180 M	22	/	48																	

Motor:

Pump model: CL MAG-M 80-50-200

DATE:

ITEM:

PURCHASE ORDER:

CUSTOMER NAME: